
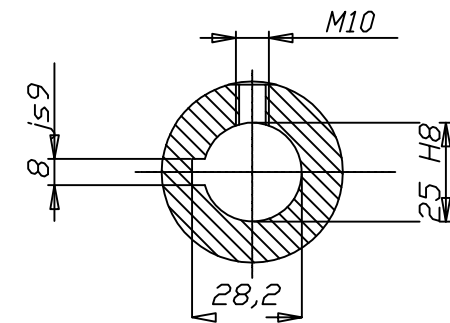


RIF. E60 01

RIF. L25 01

**WARNING!**  
 SECTIONS OF THE ASSEMBLY MARKED  ARE NOT SHIELDED  
 AND MUST BE SHIELDED BY AN INTERACTIVE GUARDING SYSTEM  
 BINACCHI Srl DECLINES RESPONSIBILITY IF PROPER GUARD  
 ARE NOT PROVIDED OR MAINTAINED.



TIPO-TYPE  
TYP

B1

CLIENTE-CUSTOMER-CLIENT-KUNDE

DANI-TECH A/S per NESBØ

DATA

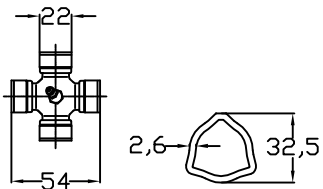
18/09/17

RIF.CLIENTE-CUSTOMER REF.-REF.CLIENT-BEZUG KUNDE

TIPO DI MACCHINA-TYPE OF IMPLEMENT-TYPE DE MACHINE-MASCHINENTYPE

VISTO

MODIFICHE-MODIFICATIONS-ANDERUNGEN-MODIFICACIONES

POTENZA : 16 Cv (540 g/min)  
 COPPIA : 210 Nm (540 g/min)

NOTE : Spec. per tubo esterno fisso - ing. 90° interni

CODICE C.E.D.  
 B1D10200L25001